



FSI H40S-5 80-110

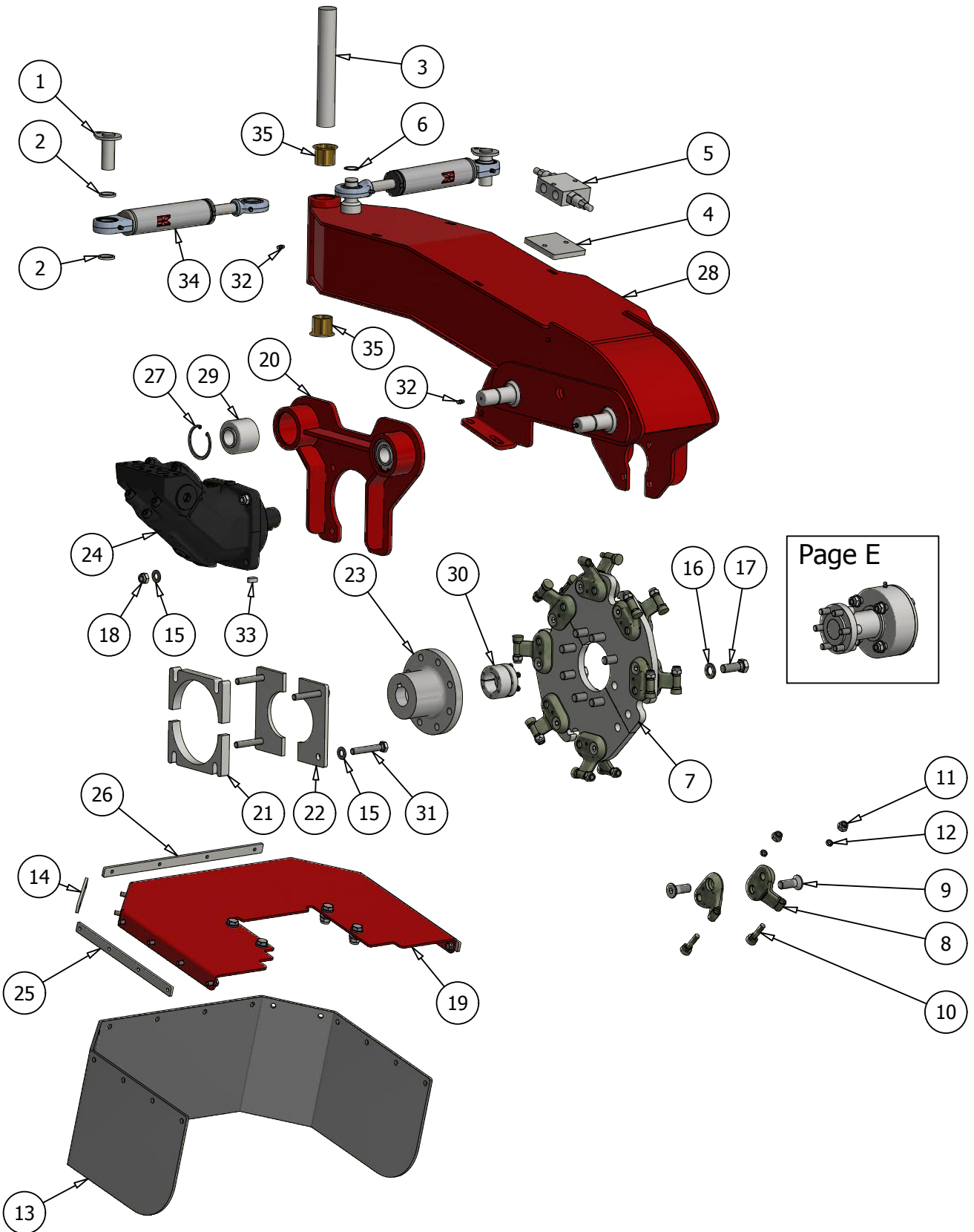
Spare Parts List

For Product number:

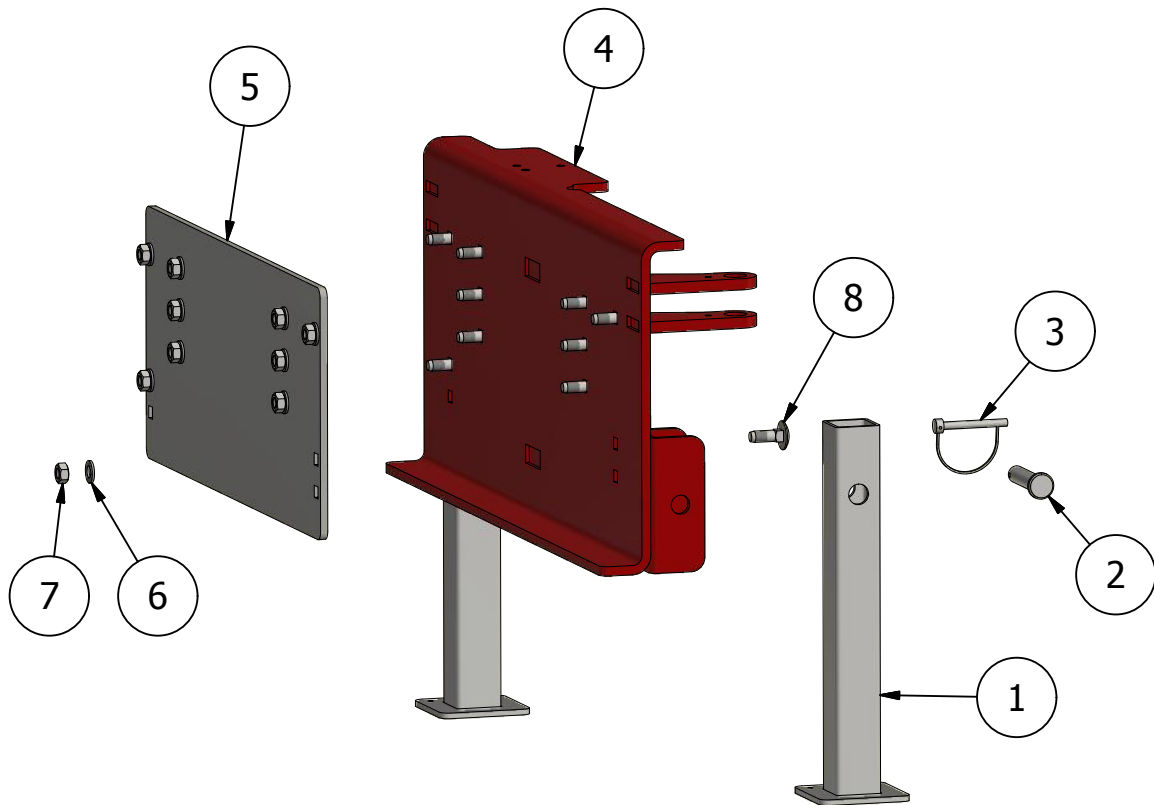
| A201370 |



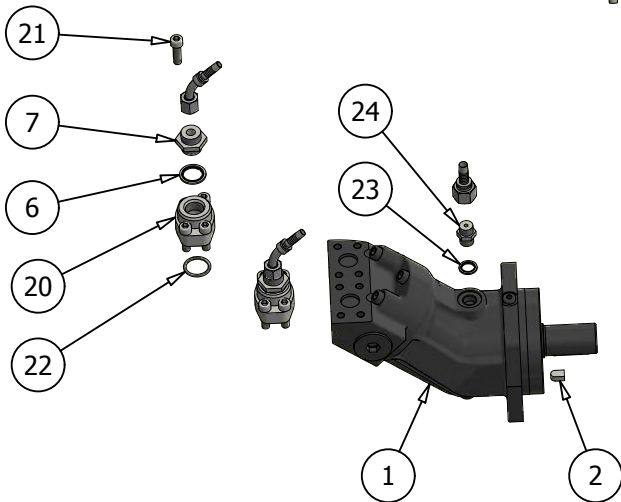
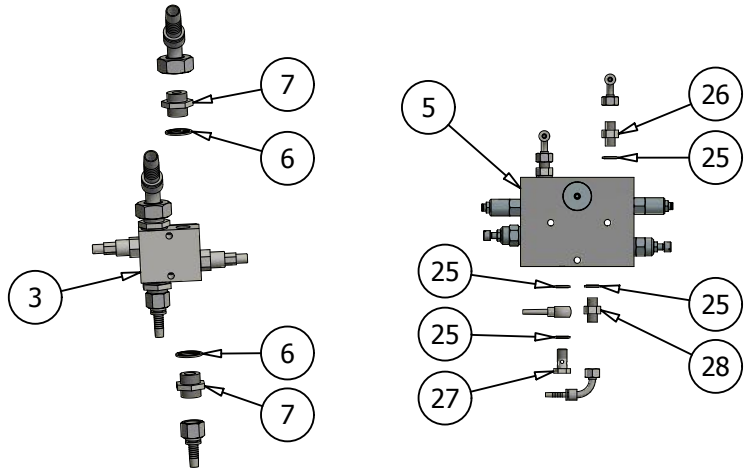
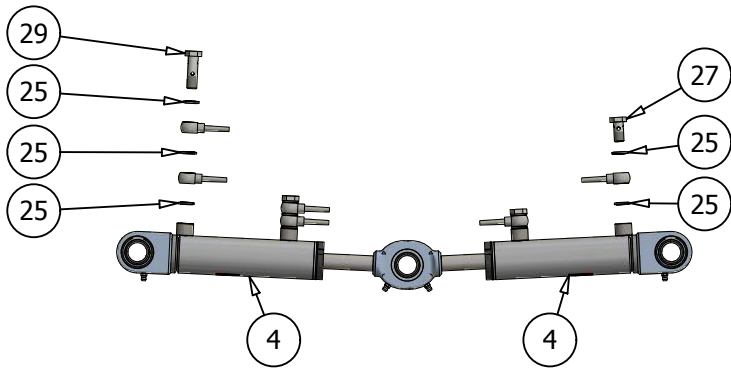
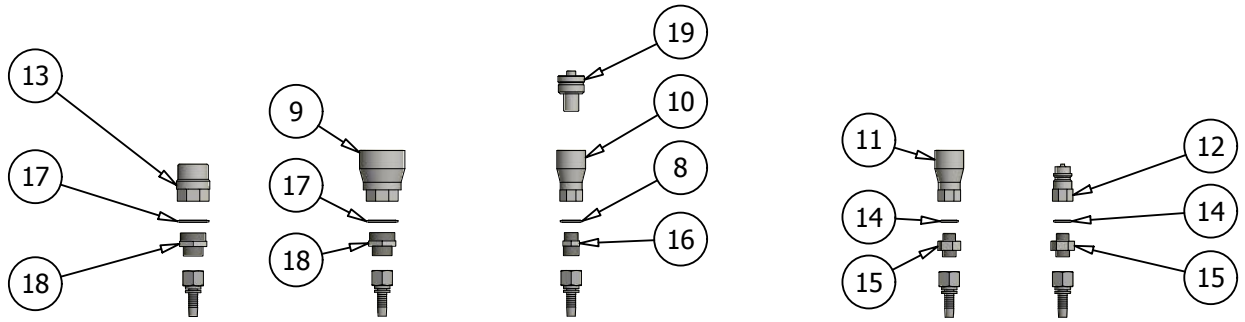
Version 1.2, 01-2019, English



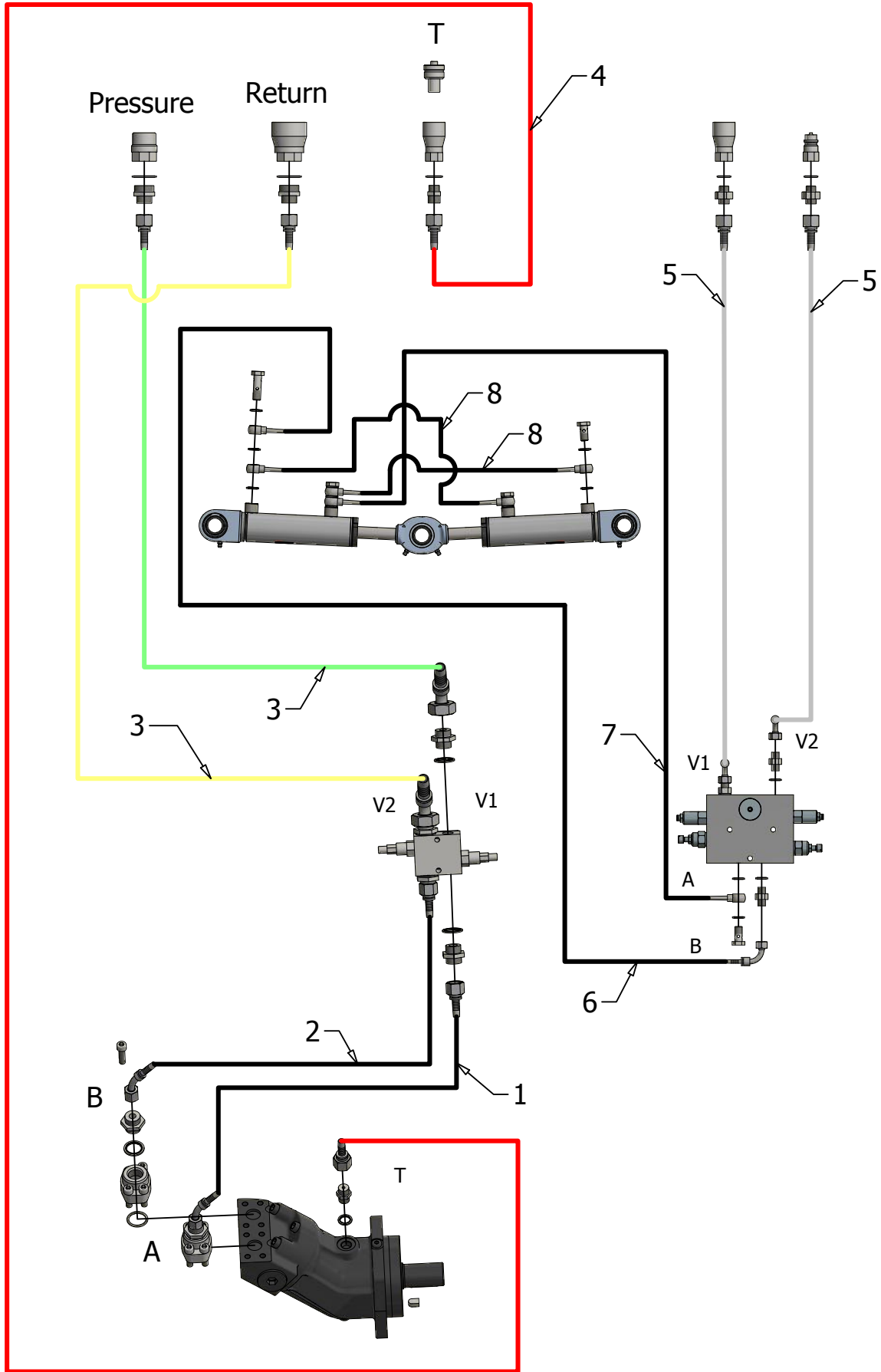
Pos.	Pcs.	Part no.	Description
1	2	55500050	Cylinder Bolt Ø25x63
2	4	44175013	Washer f. HY-Cylinder
3	1	55501475	Vertical Bolt f. Swing Ø35x230
4	1	55501706	Distance Plate f. Valve
5	1	20025030	Double Relief Valve 1/2" 250Bar
6	1	20070040	Snap Ring External Ø25
7	1	55500164	Cutter Wheel Set, Ø470
8	16	12454500	Holder cc45mm f. Tooth Ø24,5mm
9	16	12051016	Bolt L=51mm f. Holder Ø17-20-24,5mm
		12450000	Tooth Ø24,5mm w. Extra Nut (Pos 10, 11x2, 12)
10	16	12450000-T	Tooth Ø24,5mm
11	16	12450000-N	Nut f. Tooth Ø24,5mm
12	16	12450000-W	Washer f. Tooth Ø24,5mm
13	1	55501107	Rubber Protection H40 + H40S
14	2	55501110	Mounting Strip 135mm - 2 Holes
15	20	39122425	Washer M12
16	8	39163030	Washer M16
17	8	32016045	Bolt M16X45
18	12	38000212	Lock Nut M12
19	1	55501510	Protection H40 + H40S
20	1	55501719	Motor Bracket 80cc
21	2	55501516	Cover Bracket 80cc Part 1
22	2	55501517	Cover Bracket 80cc Part 2
23	1	55501093	Hub f. 80cc
24	1	20022144	Rexroth 80cc
		20022138	Sealing Kit Rexroth H40S 80-110
25	2	44702600	Mounting Strip 305mm - 4 Holes
26	1	44122500	Mounting Strip 400mm - 4 Holes
27	2	20070035	Snap Ring Internal Ø65x2,5mm
28	1	55501849	Cutter Housing H40S
29	2	20031034	Rubber Damper Ø32/66
30	1	20050127	Clamping Element Cutter Wheel H52
31	4	32512075	Bolt M12x75
32	4	20030011	Grease Niple M6
33	1	55502751	Groove 12x8x18
34	2	20026021	Hydraulic Cylinder 100-20-40Ø25
35	2	20040012	Bronze Bushing Ø35 w. Flange



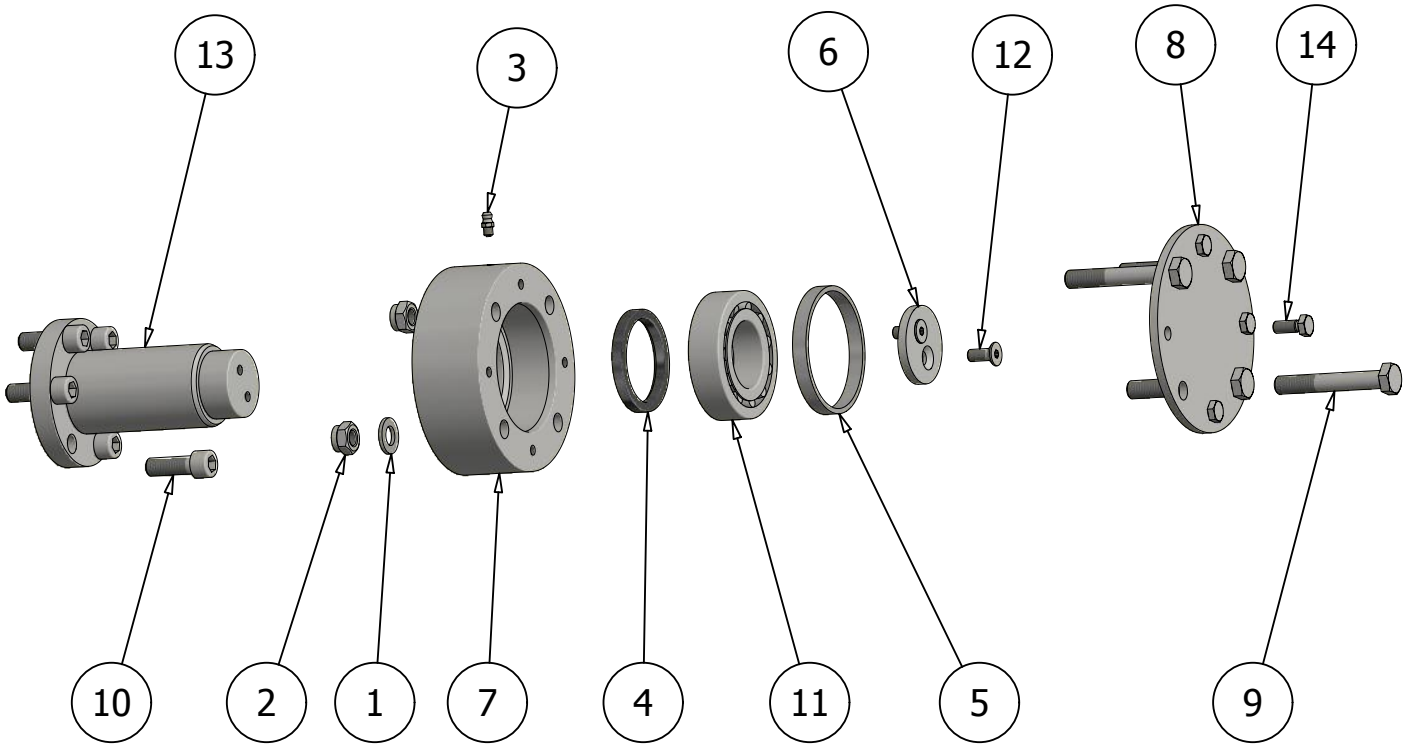
Pos.	Pcs.	Part no.	Description
1	2	55501716	Support Leg H40S
2	2	37019070	Linkage Pin Ø19X76Mm
3	2	20030018	Lock Pin Ø8X60
4	1	55501723	Standard Attachment Plate H40S
5	1	55501888	Unpainted Attachment Support H40S
6	10	39122425	Washer M12
7	10	38000212	Lock Nut M12
8	10	37016051	Carriage Bolt M12x35



Pos.	Pcs.	Part no.	Description
1	1	20022144	Rexroth 80cc
		20022138	Sealing Kit Rexroth H40S 80-110
2	1	55502751	Groove 12x8x18
3	1	20025030	Double Releaf Valve 1/2" 250Bar
4	2	20026021	Hydraulic Cylinder 100-20-40Ø25
5	1	60000811	Valve
6	6	20024043	Bonded Seal 3/4"
7	6	20024111	Adaptor 18L - 3/4"
8	1	20024044	Bonded Seal 1/2"
9	1	20024121	Quick Coupling Faster 1" Female
10	1	20024063	Quick Coupler Faster 1/2" Female
11	1	20024060	Quick Coupler Faster 3/8" Female
12	1	20024061	Quick Coupler Faster 3/8 Male
13	1	20024120	Quick Coupling Faster 1" Male
14	2	20024080	Bonded Seal 3/8"
15	2	20024126	Adaptor 3/8" - 12L
16	1	20024046	Adaptor 1/2"-12L
17	2	20024122	Bonded Seal 1"
18	2	20024123	Adaptor 18L - 1"
19	1	20024064	Dust Cap f. 1/2" Female Faster Coupling
20	2	20024124	Connection Flange 1" x 3/4" BSP M10
21	8	33010035	Cyl. Bolt M10x35
22	2	60000791	O-ring 1"
23	1	60000343	Bonded seal 12L
24	1	20024127	Adaptor 12L - 12L
25	15	20024066	Bonded Seal 1/4"
26	2	20024125	Adaptor 1/4" - 12L
27	3	20024068	Banjo Bolt 1/4"
28	1	20024071	Adaptor 1/4"
29	2	20024047	Banjo Bolt 1/4" Double



Pos.	Pcs.	Part no.	Description
1	1	20023552	Hydraulic Hose 5/8" x 500
2	1	20023551	Hydraulic Hose 5/8" x 580
3	2	20023553	Hydraulic Hose 5/8" x 1230
4	1	20023554	Hydraulic Hose 3/8" x 2040
5	2	20023555	Hydraulic Hose 1/4" x 980
6	1	20023561	Hydraulic Hose 1/4" x 645
7	1	20023562	Hydraulic Hose 1/4" x 715
8	2	20023558	Hydraulic Hose 1/4" x 395



Pos.	Pcs.	Part no.	Description
1	4	39122425	Washer M12
2	4	38000212	Lock Nut M12
3	1	20030011	Grease Niple M6
4	1	20054009	Shaft Seal Ring 55X68X8
5	1	55501113	Ring f. Bearing Housing
6	1	55501115	Plate f. roller bearing
7	1	55501111	Bearing Housing
8	1	55501116	Cover f. Bearing Housing
9	4	32512080	Bolt M12x80
10	6	33012035	Bolt Insex M12x35
11	1	20040040	Spherical Roller Bearing
12	2	34008020	Bolt Hex Countersunk M8x20
13	1	55501521	Hub f. Cutter Wheel